

Pauluhn ECOS ED2N linear fluorescent luminaires

For use in hazardous areas

Cl. I, Div. 2, Groups A, B, C, D
Cl. II, Div. 1, Groups E, F, G
Cl. III

Type 4X, IP66

5L

Applications:

- Oil and gas exploration and production
- Petrochemical facilities
- Wastewater treatment

Features:

- UV stabilized, impact-resistant fiberglass-reinforced polyester housing
- Shock- and vibration-resistant lamp holders reduce premature lamp failure
- Available in two and four foot lengths
- T5, T5HO, T8 lamps in 1-, 2- or 3-lamp configurations
- Ceiling, wall and pipe clamp
- Eye bolts
- Shock mount
- Tool-less entry for ease of installation
- Up to three gland entries at each end, suitable for dead end, through feed or single-ended "T" wiring
- Lens is removable at 120°, allowing for narrow gap mounting between obstructions

Electrical ratings:

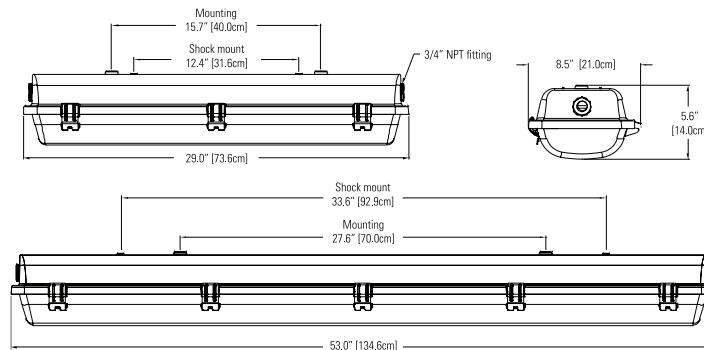
- 120-277 VAC, 50/60 Hz
- Optional emergency battery back-up ballast (self-contained 90 minute minimum with LED charge status indicator for all lamp types)



Temperature performance data:

Lamp watts (2 ft. / 4 ft.)	Ballast / socket type	ANSI lamp code	T-code	Maximum ambient °C	Supply wire °C
14/28	T5 mini bi-pin G5	F14 / F28-T5	T4A	55	90
24/54	T5HO mini bi-pin G5	F24 / F54-T5HO	T3C	55	90
17/32	T8 bi-pin G13	F17 / 32-T8	T4A	55	90
17/32	T8 bi-pin G13	F17 / 32-T8	T6	55	90
18/36	T8 bi-pin G13	F18 / 36-T8	T4A	55	90

Dimensions:



Weights:

Model	Weight (lbs.)	Weight (kg.)
2 foot	9.0	4.0
4 foot	17.0	8.0

Certifications and compliances:

- Class I, Division 2, Groups A, B, C, D
- Class II, Division 1, Groups E, F, G
- Class III
- UL844 – Hazardous Locations
- CSA – Class 3428 83
- CSA – Class 3428 03
- EN 60529 – Ingress Protection
- ABS
- Type 4X
- IP66

Standard materials:

- Housing – UV stabilized fiberglass-reinforced polyester
- Lens – injection molded polycarbonate
- Reflector – engineered plastic
- Gaskets – silicone
- Latches – stainless steel
- Lamp holders – shock- and vibration-resistant polycarbonate

5L

Pauluhn ECOS ED2N linear fluorescent luminaires

For use in hazardous areas

Cl. I, Div. 2, Groups A, B, C, D
Cl. II, Div. 1, Groups E, F, G
Cl. III

Type 4X, IP66

5L

Ordering information:

Part number example
ED2N42171012L

ED2N 4 2 1 7 1 012 L

Length (nominal)

2	2 foot
4	4 foot

Number of lamps

1	1 lamp
2	2 lamps
3 ^A	3 lamps

Lamp types

1	2 ft. 17 or 4 ft. 32 T8 bi-pin
3	2 ft. 18 or 4 ft. 36 T8 bi-pin
5	2 ft. 24 or 4 ft. 54 T5HO bi-pin
6	2 ft. 14 or 4 ft. 28 T5 bi-pin

Voltage / frequency

7	120-277 VAC, 50/60 Hz
6	347 VAC, 60 Hz
9	480 VAC, 60 Hz

Mounting options

X	No mounting style, M8 nuts
1	Ceiling bracket, stainless steel
2	Wall mount cornice bracket
3	Pipe clamp bracket
4	Cable suspension eye bolts
5	Shock mount brackets (factory installed only)

Options

SW	Internal safety disconnect switch
EM1	Emergency ballast, one lamp
L	Lamps
T	Terminal block, 5-pole
T2	Terminal block each end, 5-pole

Entries

012	Myers™ conduit hubs, zinc, 3/4" NPT, one entry at each end
022	Myers conduit hubs, zinc, 3/4" NPT, two entries at each end
112	Myers conduit hubs, stainless steel, 3/4" NPT, one entry at each end
122	Myers conduit hubs, stainless steel, 3/4" NPT, two entries at each end
113	Myers conduit hubs, 316 stainless steel, 3/4" NPT, one entry at each end
123	Myers conduit hubs, 316 stainless steel, 3/4" NPT, two entries at each end
212	Gland plate, plastic, one 3/4" entry at each end
222	Gland plate, plastic, two 3/4" entries at each end
232	Gland plate, plastic, three 3/4" entries at each end

^AEmergency ballast not available with 2 foot, 3-lamp fixtures.

Pauluhn ECOS ED2N linear fluorescent luminaires

For use in hazardous areas

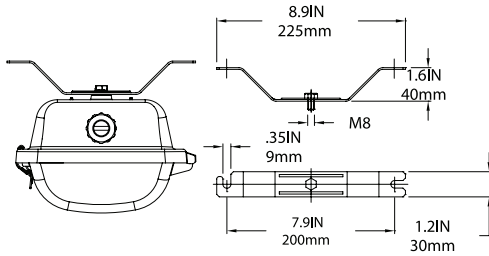
Cl. I, Div. 2, Groups A, B, C, D
Cl. II, Div. 1, Groups E, F, G
Cl. III

Type 4X, IP66

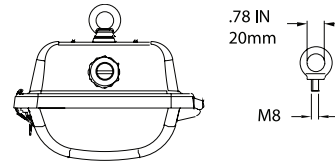
5L

Mounting options:

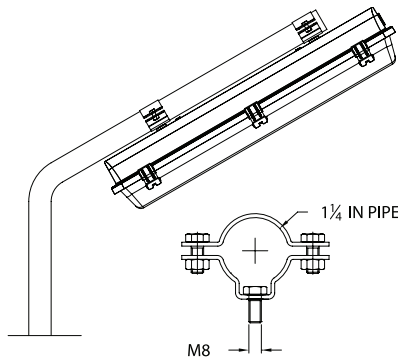
Ceiling mount (ECO1091MTK)



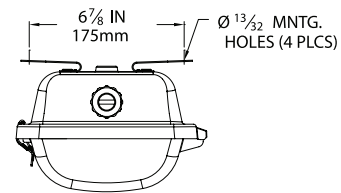
Cable suspension eye bolts (ECOEBKIT)



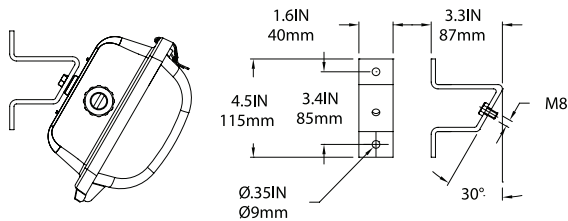
Pipe clamp bracket (ECOPMKT)



Shock mount cornice bracket (factory installed)



Wall mount (ECOWMKT)



5L